



Oxford Cambridge and RSA

Thursday 16 May 2019 – Afternoon

AS Level Further Mathematics B (MEI)

Y411/01 Mechanics a

Time allowed: 1 hour 15 minutes



You must have:

- Printed Answer Booklet
- Formulae Further Mathematics B (MEI)

You may use:

- a scientific or graphical calculator

INSTRUCTIONS

- Use black ink. HB pencil may be used for graphs and diagrams only.
- Answer **all** the questions.
- **Write your answer to each question in the space provided in the Printed Answer Booklet.** If additional space is required, you should use the lined page(s) at the end of the Printed Answer Booklet. The question number(s) must be clearly shown.
- You are permitted to use a scientific or graphical calculator in this paper.
- Final answers should be given to a degree of accuracy appropriate to the context.
- The acceleration due to gravity is denoted by $g \text{ m s}^{-2}$. Unless otherwise instructed, when a numerical value is needed, use $g = 9.8$.

INFORMATION

- The total number of marks for this paper is **60**.
- The marks for each question are shown in brackets [].
- You are advised that an answer may receive **no marks** unless you show sufficient detail of the working to indicate that a correct method is used. You should communicate your method with correct reasoning.
- The Printed Answer Booklet consists of **12** pages. The Question Paper consists of **8** pages.

Answer **all** the questions.

- 1 A child is pulling a toy block in a straight line along a horizontal floor. The block is moving with a constant speed of 2 m s^{-1} by means of a constant force of magnitude 20 N acting at an angle of θ° above the horizontal.

The work done by the force in 10 s is 350 J .

Calculate the value of θ . [3]

- 2 The surface tension of a liquid allows a metal needle to be at rest on the surface of the liquid. The greatest mass m of a needle of length l which can be supported in this way by a liquid of surface tension S is given by the formula

$$m = \frac{2Sl}{g}$$

where g is the acceleration due to gravity.

- (a) Determine the dimensions of surface tension. [3]

Surface tension also allows liquids to rise up capillary tubes. Molly is experimenting with liquids in capillary tubes and she arrives at the formula $h = \frac{2S}{\rho gr}$, where h is the height to which a liquid of surface tension S rises, ρ is the density of the liquid, and r is the radius of the capillary tube.

- (b) Show that the equation for h is dimensionally consistent. [3]

In SI units, the surface tension of mercury is 0.475 kg s^{-2} and its density is $13\,500 \text{ kg m}^{-3}$.

- (c) Find the diameter of a capillary tube in which mercury will rise to a height of 10 cm . [2]

In another experiment, Molly finds that when liquid of surface tension S is poured onto a horizontal surface, puddles of depth d are formed. For this experiment she finds that

$$d = kS^\alpha \rho^\beta g^\gamma$$

where k is a dimensionless constant.

- (d) Determine the values of α , β and γ . [4]

- 3 A box weighing 130 N is on a rough plane inclined at 12° to the horizontal. The box is held at rest on the plane by the action of a force of magnitude 70 N acting up the plane in a direction parallel to a line of greatest slope of the plane. The box is on the point of slipping up the plane.

(a) Find the coefficient of friction between the box and the plane. [5]

The force of magnitude 70 N is removed.

(b) Determine whether or not the box remains in equilibrium. [2]

- 4 A shovel consists of a blade and handle, as shown in Fig. 4.1 and Fig. 4.2. The dimensions shown in the figures are in metres.

The blade is modelled as a uniform rectangular lamina ABCD lying in the Oxy plane, where O is the mid-point of AB. The handle is modelled as a thin uniform rod EF. The handle lies in the Oyz plane, and makes an angle α with Oy , where $\sin \alpha = \frac{7}{25}$. The rod and lamina are rigidly attached at E, the mid-point of CD.

The blade of the shovel has mass 1.25 kg and the handle of the shovel has mass 0.5 kg.

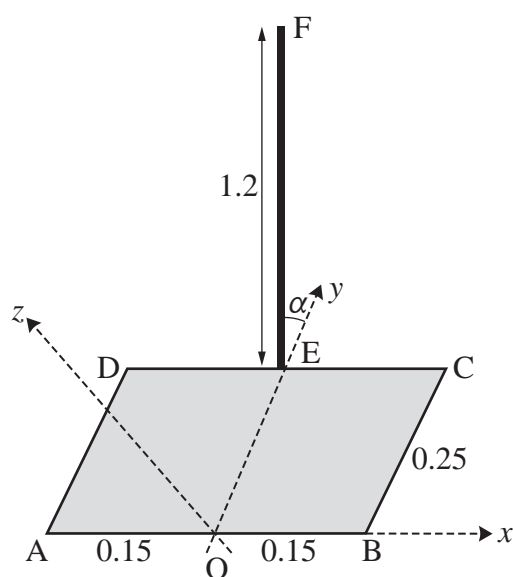


Fig. 4.1

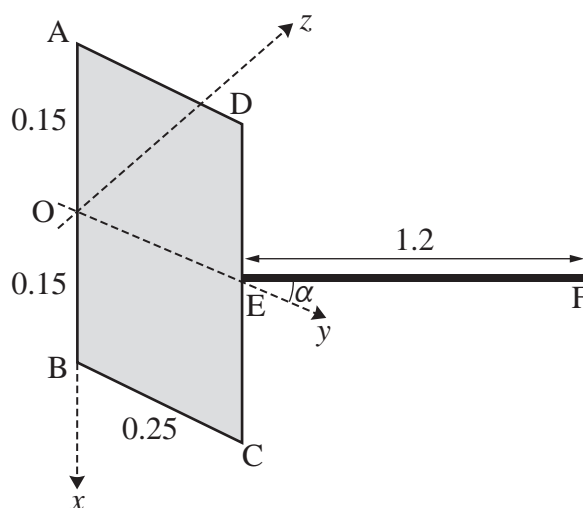


Fig. 4.2

(a) Find,

(i) the y -coordinate of the centre of mass of the shovel, [5]

(ii) the z -coordinate of the centre of mass of the shovel. [2]

The shovel is freely suspended from O and hangs in equilibrium.

(b) Calculate the angle that OE makes with the vertical. [2]

4

- 5 A car of mass 4000 kg travels up a line of greatest slope of a straight road inclined at an angle of θ to the horizontal, where $\sin \theta = 0.1$.

The power developed by the car's engine is constant and the resistance to the motion of the car is constant and equal to 850 N. The car passes through a point A on the road with speed 18 m s^{-1} and acceleration 0.75 m s^{-2} .

- (a) Calculate the power developed by the car. [5]

The car later passes through a point B on the road with speed 25 m s^{-1} . The car takes 17.8 s to travel from A to B.

- (b) Find the distance AB. [5]

- 6 Three particles, A, B and C are in a straight line on a smooth horizontal surface. The particles have masses 5 kg, 3 kg and 1 kg respectively. Particles B and C are at rest. Particle A is projected towards B with a speed of $u \text{ m s}^{-1}$ and collides with B. The coefficient of restitution between A and B is $\frac{1}{3}$.

Particle B subsequently collides with C. The coefficient of restitution between B and C is $\frac{1}{3}$.

- (a) Determine whether any further collisions occur. [7]

- (b) Given that the loss of kinetic energy during the initial collision between A and B is 4.8 J, find the value of u . [4]

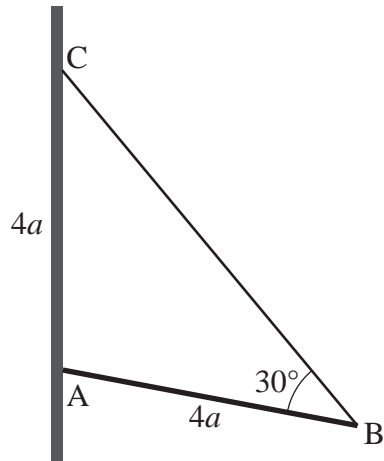


Fig. 7

Fig. 7 shows a uniform rod AB of length $4a$ and mass m .

The end A rests against a rough vertical wall. A light inextensible string is attached to the rod at B and to a point C on the wall vertically above A, where $AC = 4a$. The plane ABC is perpendicular to the wall and the angle ABC is 30° .

The system is in limiting equilibrium.

Find the coefficient of friction between the wall and the rod.

[8]

END OF QUESTION PAPER

BLANK PAGE

BLANK PAGE

OCR

Oxford Cambridge and RSA

Copyright Information

OCR is committed to seeking permission to reproduce all third-party content that it uses in its assessment materials. OCR has attempted to identify and contact all copyright holders whose work is used in this paper. To avoid the issue of disclosure of answer-related information to candidates, all copyright acknowledgements are reproduced in the OCR Copyright Acknowledgements Booklet. This is produced for each series of examinations and is freely available to download from our public website (www.ocr.org.uk) after the live examination series.

If OCR has unwittingly failed to correctly acknowledge or clear any third-party content in this assessment material, OCR will be happy to correct its mistake at the earliest possible opportunity.

For queries or further information please contact The OCR Copyright Team, The Triangle Building, Shaftesbury Road, Cambridge CB2 8EA.

OCR is part of the Cambridge Assessment Group; Cambridge Assessment is the brand name of University of Cambridge Local Examinations Syndicate (UCLES), which is itself a department of the University of Cambridge.